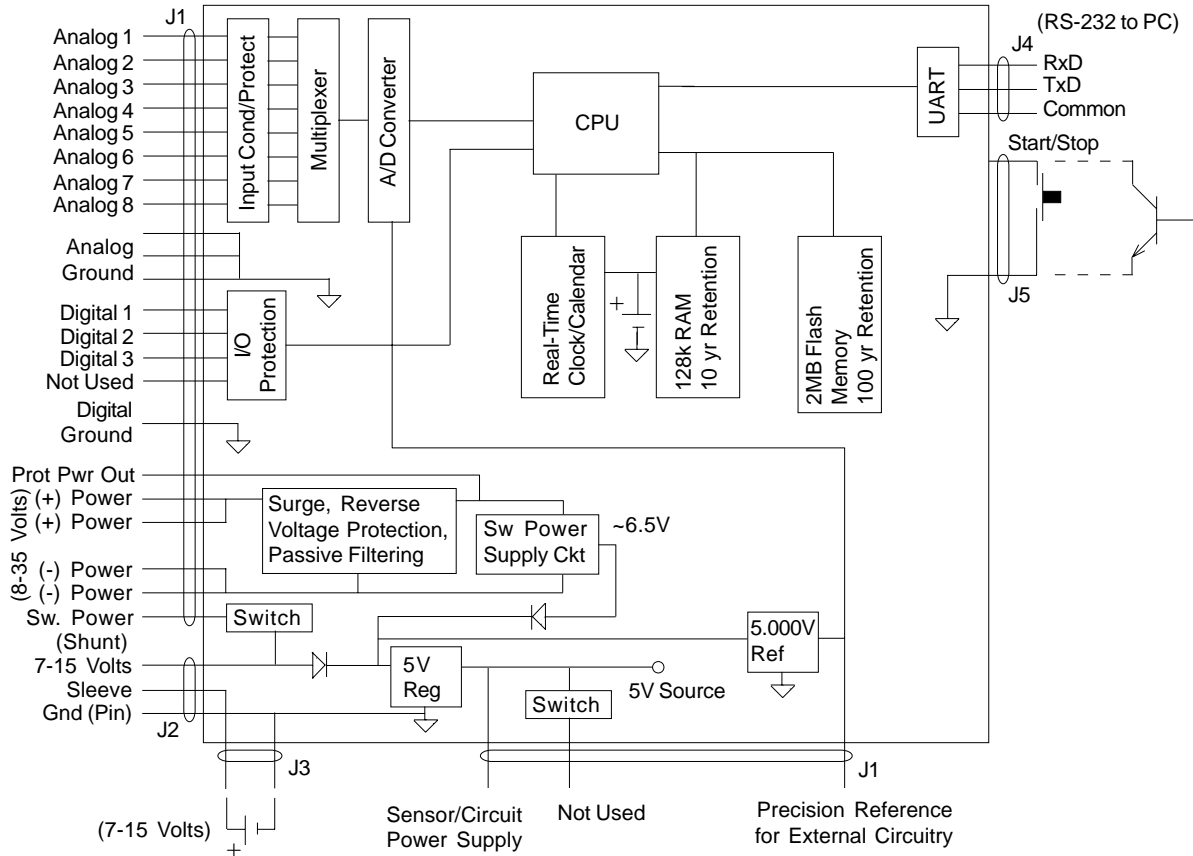


Functional Diagram



J1: DB25 Application Interface

Channel	Pin
Power Input (+)	13
Power Input (+)	25
Power Input (-)	12
Power Input (-)	24
Power Out, Protected	11
Digital 1	23
Digital 2	10
Digital Ground	22
Digital 3	9
Not Used	21
Not Used	8
Unregulated Power Out	20
Analog 1	7
Analog 2	19
Analog Ground	6
Analog 3	18
Analog 4	5
Analog Ground	17
Analog 5	4
Analog 6	16
Analog Ground	3
Analog 7	15
Analog 8	2
5.000V Ref	14
5V Regulated Output	1

J3: Battery or External Power

Pin 1 Ground
Pin 2 V+

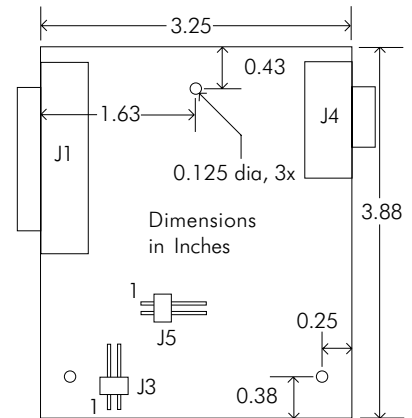
J4: DB9 Serial Communication (null modem configuration)

Pin 1 NC
Pin 2 RXD
Pin 3 TXD
Pin 4 NC
Pin 5 Ground
Pin 6 NC
Pin 7 NC
Pin 8 NC
Pin 9 NC

J5: Start/Stop Momentary Contact

Pin 1 Start/Stop
Pin 2 Ground

Circuit Board Dimensions



For information not provided here, contact:

Valitec, Inc.

1458 Yankee Park
Dayton, OH 45458 U.S.A.

Tel: 937.291.0250

Fax: 937.291.9148

email: sales@valitec.com

internet: www.valitec.com